

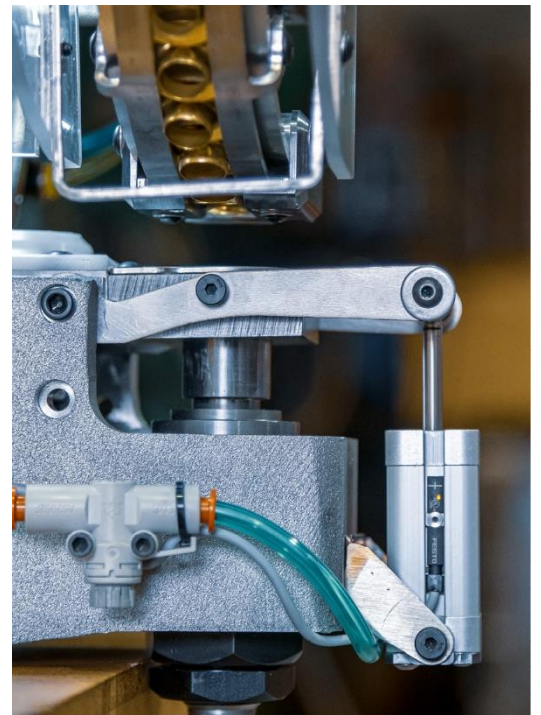
# PASKAL

Your Future In Industrial Fabrics & Accessories

## Eagle III Grommeting

Eagle III 2.0 Automatic Machine

The Eagle III 2.0 is a Pedal operated, fully automatic machine. A foot pedal activates the automatic feeding of grommets and washers, cuts a hole in the material and sets the grommet and washer in a single stroke.



Integrated sensors permit the Eagle III 2.0 to operate via an action/reaction logic, rather than time elapse action triggers.



### Head Office - Victoria

9A Lakewood Blvd,  
BRAESIDE VIC 3195  
P: 03 9588 8800  
E: paskal@paskal.com.au

### Queensland

4 Aranda St,  
SLACKS CREEK QLD 4127  
P: 07 3440 7000  
E: qld@paskal.com.au

### Western Australia

14B Port Kembla Dve,  
BIBRA LAKE WA 6163  
P: 08 9236 3400  
E: wa@paskal.com.au

### Tasmania

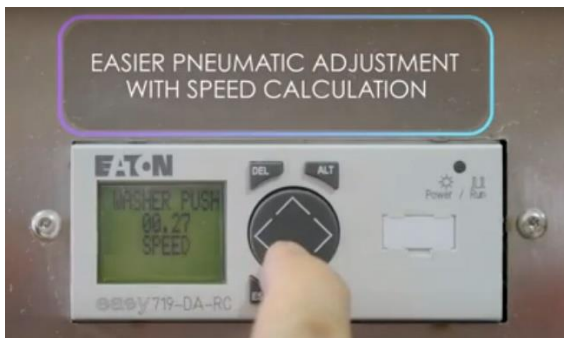
HOBART TAS 7000  
P: 03 6295 2100  
E: tas@paskal.com.au

## Eagle III Grommeting

Eagle III 2.0 Automatic Machine

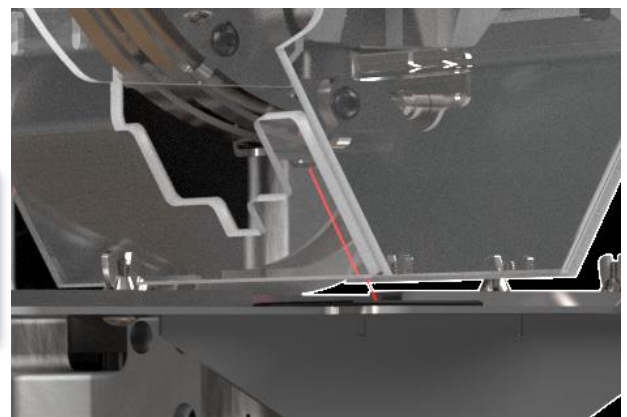
Specifications

SPECIFICATIONS	
Throat Depth	8.25 cm
Max. E & W Size	#4 Spur or Sheet
Max Weight	45 Kg
Dimensions	45 x 81 x 63cm
Fixing	Work Bench
Speed (Cycle per min)	100 spm
Usage/Year	10,000 / 1,00,000
Reliability (Miss/1000)	1 / 1000
Height clearance	4.44cm
Setting Strength	3628 Kg
Manual Mode	Yes
Brushless Bowl Feed	Yes
Cast Aluminium Frame	Yes
E & W Level Control	Optional
Power Source	Air/240 Volts



Easy access to the machine's functions through the screen interface

Simple material alignment thanks to its integrated LED light. Optional laser is also available



Interchangeable setting tools can be bought separately

### Head Office - Victoria

9A Lakewood Blvd,  
BRAESIDE VIC 3195  
P: 03 9588 8800  
E: paskal@paskal.com.au

### Queensland

4 Aranda St,  
SLACKS CREEK QLD 4127  
P: 07 3440 7000  
E: qld@paskal.com.au

### Western Australia

14B Port Kembla Dve,  
BIBRA LAKE WA 6163  
P: 08 9236 3400  
E: wa@paskal.com.au

### Tasmania

HOBART TAS 7000  
P: 03 6295 2100  
E: tas@paskal.com.au